

STATUS UP2



I	Installazione, uso e manutenzione	p. 2
UK	Installation, use and maintenance	p. 12
E	Instalación, uso y mantenimiento	p. 22
P	Instalação, uso e manutenção	p. 32
GR	Εγκατάσταση, χρήση και συντήρηση	σ. 42
RUS	Установка, эксплуатация и техническое обслуживание	стр. 52



EDILKAMIN
TECNOLOGIA DEL FUOCO

Dear Sir/Madam

Congratulations and thank you for choosing our product.

Please read this document carefully before you use this product in order to obtain the best performance in complete safety.

For further details or assistance, please contact the DEALER where you purchased the product or visit the TECHNICAL ASSISTANCE CENTRES page on our website www.edilkamin.com.

NOTE

- After you remove the packaging, please inspect the unit for any damage or missing parts ("stay cool" handle, warranty booklet, glove, technical data sheet).

In case of anomalies please contact the dealer where you purchased the product immediately . You will need to present a copy of the warranty booklet and valid proof of purchase.

Commissioning/ testing

Commissioning and testing must be performed by an authorized Edilkamin Technical Assistance Centre. Failure to do so will void the warranty. Commissioning, as specified in standard UNI 10683 Rev . 2005 (section "3.2") consists in a series of controls performed on the installed fireplace in order to ascertain the correct operation of the system and its compliance to applicable regulations.

To locate the Technical Assistance Centre closest to you, please ask your local dealer , call our toll-free number, or visit our website www.edilkamin.com.

- Incorrect installation, incorrect maintenance, or improper use of the product, shall relieve the manufacturer from any damage resulting from the use of this product.

- the proof of purchase tag, necessary for identifying the fireplace, is located:

- on the top of the package

- in the warranty booklet found inside the firebox

- on the ID plate affixed to the back side of the unit;

This documentation must be saved for identification together with the valid proof of purchase receipt. The data contained therein must be reported when requesting information and made available should servicing be required;

- All images are for illustration purposes only; actual products may vary .

The undersigned EDILKAMIN S.p.a. with head office headquarters at
Via Vincenzo Monti 47 - 20123 Milan - Italy - VAT IT00192220192

Declares under its own responsibility as follows: The below listed wood burning products comply with EU Regulation 305/2011 and the harmonized European Standard EN 13229:2001+A1:2003 +A2:20 04+AC:2006+AC:2007

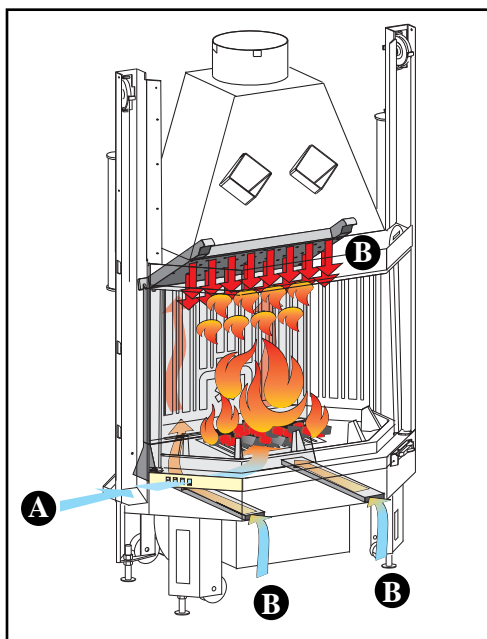
Wood Fireplace trademark EDILKAMIN,
called STATUS UP2

Year of manufacture: Ref. Data nameplate Declaration of
Performance

STATUS UP2 - DoP n. EK 175

The liability of Edilkamin is limited to the product supply only.

THE TECHNOLOGY



• **AVAILABLE VERSIONS**

- N natural convection
- V forced ventilation

• **CLEAN COMBUSTION SYSTEM: S.C.P.**

Ensures high thermal efficiency and clean emissions

The system combines an innovative air distribution method of primary combustion (A) and post-combustion (B)

A the primary combustion air is fed into the firebox and is uniformly distributed over the embers. This allows for the maximum possible oxygenation and power necessary for optimal combustion;

B air for post-combustion is taken in from the room through two holes located at the base of the fireplace. This air heats up while travelling through a channel designed specifically for this purpose at the back of the firebox. The air is emitted into the roof of the firebox through a well distributed drip system, in order to obtain the air/smoke mixture at a high temperature.



• **MANIGLIA ASPORTABILE PER APERTURA PORTELLONE**

The handle of the hatch is not fixed to the same hatch but is inserted when required.

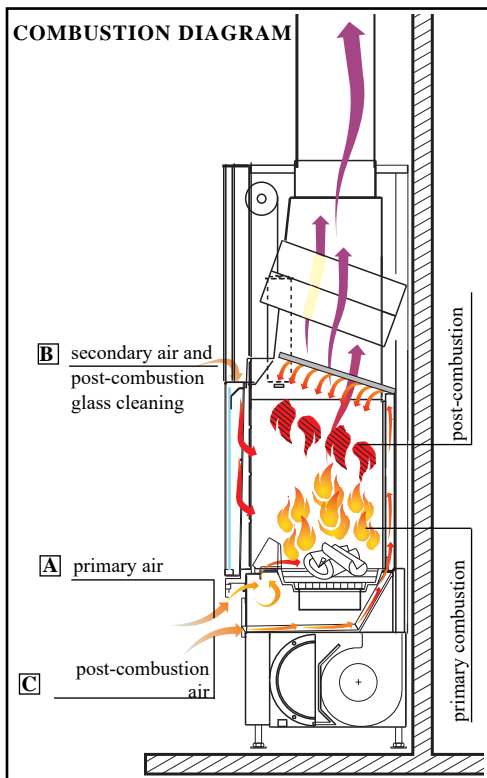
The handle fits into the bottom of the door, by hooking it onto the pins. The handle is only needed to lift or lower the hatch.



• **BUILT-IN SYNOPTIC PANEL**

for models with forced ventilation:

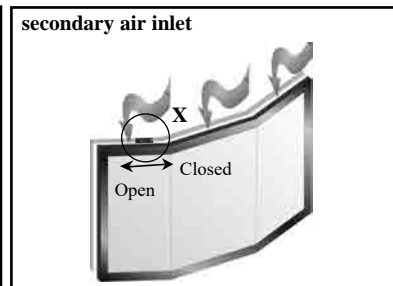
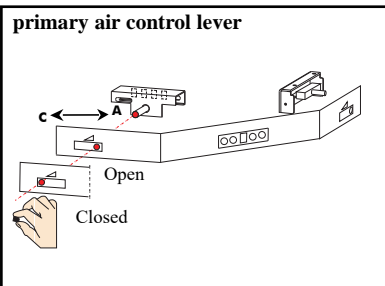
it allows you to manage and control the operating phases (ignition and turning off) as well as adjust the fan speed from 1 to 9 in automatic or manual mode.



• **COMBUSTION AIR**

New distribution system with:

- A** primary air brushing the surface of the hearth, controlled by a recessed damper (use with protective tool)
- B** secondary air fed in directly from the top of the door thus keeping the glass clean
- C** post-combustion air, pre-calibrated, it comes in from the ceiling of the firebox



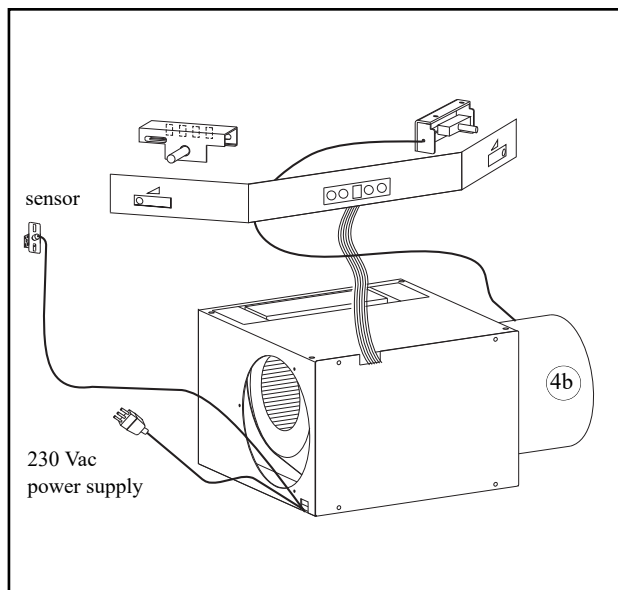
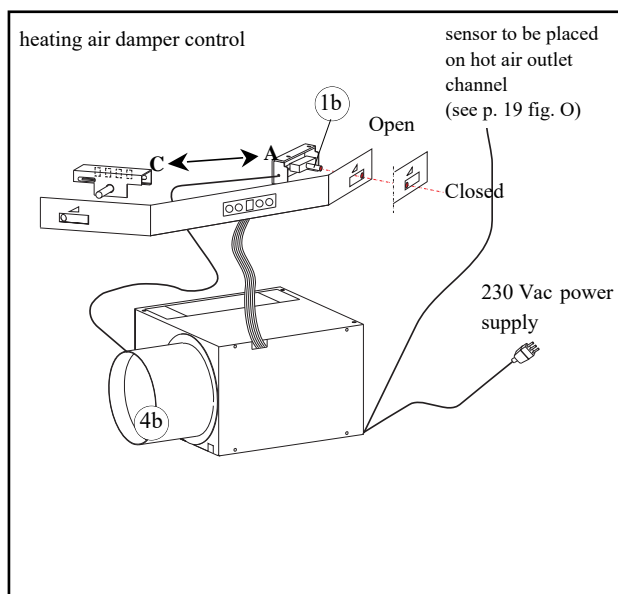
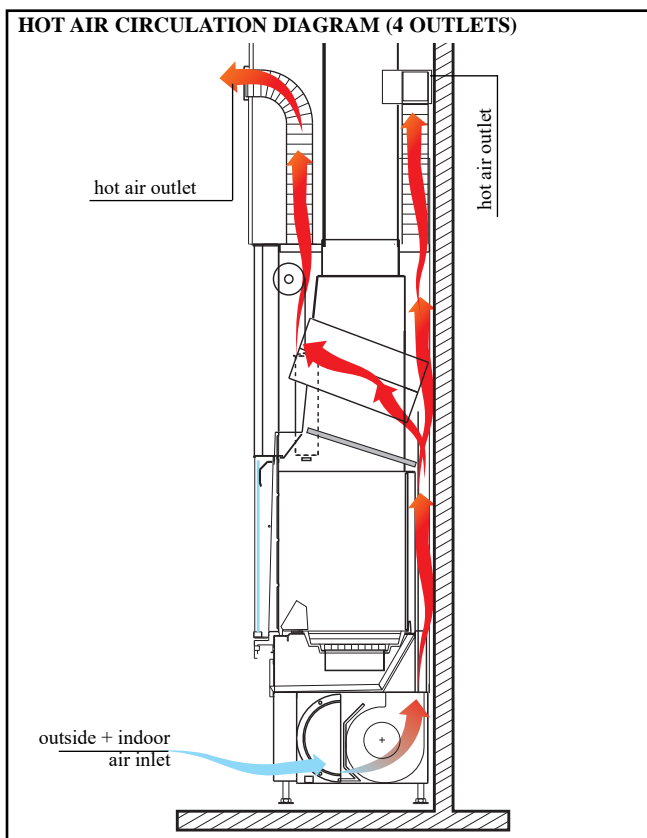
THE TECHNOLOGY

• AIR INTAKE MECHANISM

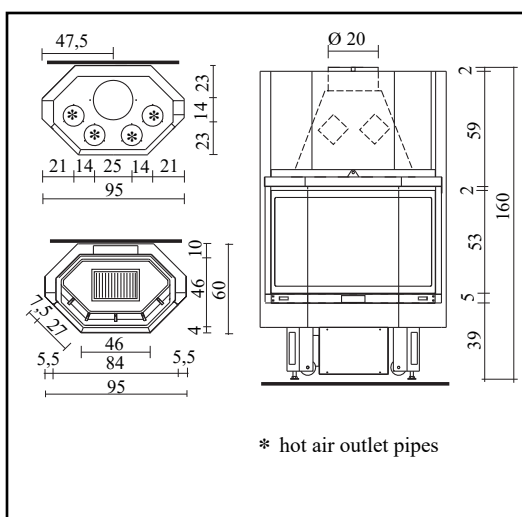
the air is drawn in from the outside and mixed with the air inside using a new wire controlled mechanism recessed in the bottom front panel of the firebox.

When the fireplace is operating control lever **1b** must be partially or fully positioned to the right (room + outside air).

fitting **4b**, the sensor cables and the 230 Vac power supply can be positioned independently either to the left or to the right.



SPECIFICATIONS



power output	kW	15.2	
wood consumption	kg/h	4,2	
efficiency	%	78	
smoke outlet Ø	cm	20	
weight including packaging	kg	292	
air intake section	cm	20	
Ø hot air outlet channelling	cm	14	
heating capacity	m ³	395	

INSTALLATION INSTRUCTIONS

Important warnings

As well as that indicated in the present document, bear in mind the UNI rules:

- n. 10683/2005 - wood heat generators: installation requirements

- n. 9615/90 - calculation of the chimney internal dimensions.

In particular:

- before starting any mounting operation, it is important to verify the compatibility of the plant as established by the UNI 10683/2005 rule in paragraphs 4.1/ 4.1.1 / 4.1.2.

- once mounted, once mounted, the installer must "start up" the plant and issue the documentation requested in the UNI 10683/2005 rule, respectively in paragraphs 4.6 and 5.

Before installing the cover, verify the correct functioning of the connections, the controls and all moving parts.

The verification must be carried out with the chimney having been on for a few hours, before covering the hearth, in order to eventually intervene.

Therefore, the finishing operations such as for example:

- manufacture of the false hood
- mounting of covering
- carrying out stripping, painting, etc. must be carried out once tested with positive result.

Therefore, Edilkamin does not answer for burdens deriving from both demolition and reconstruction interventions, even if subsequent to replacing hearth pieces which resulted faulty.

Calibration and start up to be carried out by the dealer.

Vorwort

• The STATUS UP2 hearths must be installed keeping to the following instructions, as the safety and plant efficiency depend on the correct installation.

• Carefully read the present instructions before mounting.

• EDILKAMIN declines any responsibility for eventual damages deriving from the non compliance with the present instructions and, in case, any warranty right will be void.

• The STATUS UP2 hearth is supplied already assembled on non returnable pallet. The inside covering of the hearth is supplied already installed.

• A model identification label is applied under the hearth hatch; the label can be seen until the hearth is covered. The model identification number is indicated in the documentation supplied with the product.

Building protection

All the building surfaces near the hearth must be protected against overheating. The insulating measures to be adopted depend on the type of surfaces present and how they are made.

Hot air outlets / Grills

The hot air outlets must be placed at a minimum distance of 50 cm from the ceiling and 30 cm from the furniture. Position the grills or the air outlets at the highest point of the covering, in order to avoid heat accumulating inside the same covering. Position the grills or the air outlets so that they can be easily accessed for cleaning.

Heating insulation

The insulating layers must not have joints and have to be overlapped. The thickness of the insulating material must be of at least 3 cm.

Ornamental beams

The realisation of eventual wood ornamental beams in front of the hearth covering is allowed only if they are outside the radiation field, at a distance of at least 1 cm from the same covering. The air space which isolates the ornamental elements and the covering must be such not to accumulate heat. The wood ornamental beams cannot be integrating parts of the building.

Floor opposite the hearth

Floors made with fuelling materials must be protected by a sufficiently thick, non fuelling cover.

The floor protection must be equal to:

frontally:

- the corresponding height of the fire surface from the floor plus 30 cm and, in any case, min. 50 cm

laterally:

- the corresponding height of the fire surface from the floor plus 20 cm and, in any case, min. 30 cm.

In the radiation field of the hearth

The structural elements built with fuelling material or which present fuelling components and the furniture must be positioned at a minimum distance of 80 cm from the hearths mouth, in all three directions: front, upper and side.

Should such elements or furniture be screened by a ventilated anti-radiation protection, it will be sufficient to respect a distance of 40 cm.

Outside the radiation field

The structural elements built with fuelling materials or which present fuelling components and furniture, must be positioned at a minimum distance of 5 cm from the hearths covering.

In such air space, the air present in the room must be able to circulate freely. No heat accumulation must be created.

Electric lines

There must be no electric lines in the walls and the ceilings, including the hearth embedding area.

INSTALLATION INSTRUCTIONS

Smoke channel

The conduit which connects the hearth smoke outlet mouth with the flue inlet is called smoke channel.

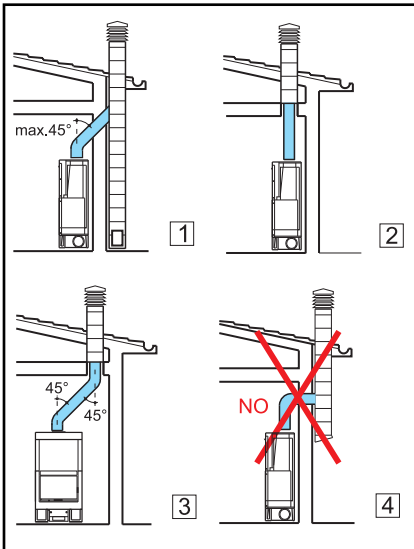
The smoke channel must be made with stiff steel or ceramic pipes, flexible metal or fibre-cement pipes are not allowed.

Horizontal or counterslope tracts must be avoided.

Eventual section changes are allowed only at the chimney outlet and not, for example, at the coupling in the flue. Slants of more than 45° are not allowed.

A mastic sealing at high temperature must be carried out in correspondence of the inlet point of the steel flue on the chimney smoke outlet mouth.

Further to the above, bear in mind the indication of the UNI 10683/2005 rule in paragraph 4.2 „connection to the smoke evacuation system“ and subparagraphs.



Flue and chimney pot

The conduit which, from the room with the chimney reaches the building covering, is called flue.

The fundamental features of the flue are:

- capability to support a smoke temperature of at least 450°C with regard to the mechanical resistance, insulation, and gas hold
- being correctly insulated to avoid the forming of condensation
- have constant section, almost vertical flow and not slant more than 45°
- have preferably circular internal sections; in case of rectangular sections,

the max. ratio between the sides must not exceed 1.5

- have an internal section with a surface at least equal to the one reported on the technical board
- service only one hearth (chimney or stove).

Piping using stainless steel pipes of appropriate size and ideal insulation is suggested for flues which are old or too large.

In the event of a chimney with length of 5 meters is necessary to install a flue damper control.

The chimney pot fundamental features are:

- basic internal section equal to the one of the flue
- outlet section not less than double that of the flue
- position in full wind, above the roof and outside the reflux areas.

Fireplace

If combining a prefabricated Edilkamin covering, to decide upon the exact positioning of the fireplace, it is important to verify which covering will be applied. The positioning is implemented according to the model chosen (refer to the installation instructions found inside the packaging of each fireplace covering). Always ensure the fireplace is level during the installation process.

- Drill a hole into the wall or the flooring for the external air intake and connect the air adjustment mechanism to the hole as described in the chapter called “external air inlet”.
- Use a stainless steel flue to connect the fireplace to the chimney flue, adhering with the diameters indicated in the specifications table (page. 14) and the guidelines given in the chapter called “chimney flues” (page. 16).
- kits are available for channelling hot air as described in detail on page 17.
- once installation is complete, enable the sliding of the door by moving the two levers, **X** and **X1** to the open position (fig. **H - I** pg. 18).
- ensure that the parts work when they are handled.

Coverings, fireplace mantels and their vents (fig. 1)

Before installing the covering **make sure that the connections, control levers and all moving parts are functioning correctly. These checks must be performed when the fireplace is lit** and has been running for a few hours, before covering the firebox, so that it is still possible to intervene if necessary. Therefore, the finishing operations such as:

- building the fireplace mantel
- installing the covering
- implementing pilasters, painting, etc.. should be performed after tests provides successful outcomes.

Edilkamin will not be held responsible for costs deriving from demolition or reconstruction work even they result from the replacement of any parts of the firebox that have been found to be defective.

Marble, stone, and brick parts that make up the covering must be installed leaving a slight gap between the pre-fab in order to avoid possible breakage due to dilation and excessive overheating. In particular, you must include the following below the edging of the bottom edge:

- a space suitable enough to allow the recirculation of air from the room to flow through
- the possibility of inspecting and or replacing the fans in the case of fireboxes with forced ventilation.

Wooden parts must be protected by fire resistant panels and no part must touch the thermo fireplace, on the contrary there must be an appropriate distance of at least 1 cm to allow the air to flow preventing heat accumulation. The fireplace mantel can be made of fireproof plaster-board panels or gypsum board; during the construction phase the hot air channelling kit must be mounted as stated above. Air should be allowed to flow inside the fireplace mantel (through the gap between the door and the beam). Through convective motion, the air will flow out from the grille installed at the top, resulting in heat recovery and preventing excessive overheating.

In addition to the above, please consider the indications stipulated in the UNI 10683/2005 standard, paragraphs 4.4 and 4.7: insulation, finishing, fireplace covering and safety recommendations.

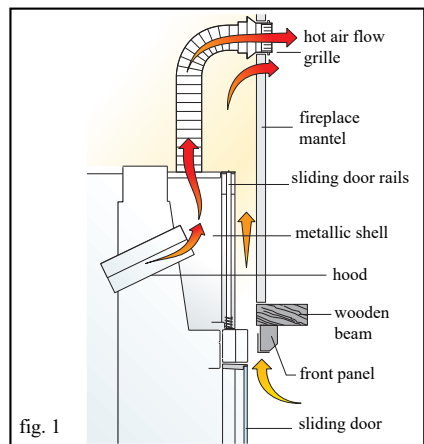


fig. 1

INSTALLATION INSTRUCTIONS

Installing the hot air circulation system

jacket of the fireplace absolutely must be conducted into the indoor environment. This ensures compensation for the air that is expelled from the fireplace through the flue, while it is operating, and at the same time achieve heating function.

The hot air is fed into the rooms through outlet pipes connected to the holes in the upper wall of the shell with aluminium tubes Ø 14 cm.

If hot air is being channelled to rooms other than the one where the fireplace is installed it is essential to ensure the return of the air itself to the room with the fireplace through grilles located at the base of the walls or through spaces under doors.

The pipes must not be any less than 14 cm in diameter so that the air does not exceed a speed of 5 m/sec thus avoiding bothersome noises and an excessive drop in pressure due to friction. It is important that the route of the pipes is as straight as possible.

The aluminium tubes can be hidden with chests of drawers, faux or recessed beams, in any case it is essential that they are very well insulated.

The channelling ducts can be a maximum length of 6 ÷ 8m each for version V, and 4 ÷ 5 m each for version N.

This length is reduced by 1.2 m for each curve and for each pipe outlet as a result of the loss in pressure.

Installing the hot air circulation Kit

We offer the following hot air channelling kits.

Kit One/bis

only for the room where the fireplace is installed

- attach the two fittings "R2" to the holes on the shell
- insert the two pipes (21) and secure them with their clamps
- build the frames with the fittings with the two outlets "B2" into the wall on the top part of the fireplace mantel
- connect the two aluminium pipes to the fittings and secure them with clamps, and snap on the front grilles

Kit Two/bis

for the room where the fireplace is installed, plus an adjacent room

- attach the two fittings "R2" to the holes on the shell
- insert the two pipes (21) and secure them with their clamps
- build the frame with the fitting for outlet "B1" into the wall on the top part of the fireplace mantel

- build the frame with the fitting for outlet "B3" into the wall of the room requiring heating
- connect the two aluminium pipes to the fittings and secure them with clamps, and snap on the front grilles

Kit Three/bis

for the room where the fireplace is installed, plus two adjacent rooms

- attach the two fittings "R2" to the holes on the shell
- insert the two pipes (21) and secure them with their clamps
- build the frames with the fitting for the two "B3" outlets into the walls of the rooms requiring heating
- mount slit "G1" in the top part of the mantel to allow for ventilation inside the mantel itself
- connect the two aluminium pipes to the fittings and secure them with clamps, and snap on the front grilles

Kit four/bis

for the room where the fireplace is installed, plus three adjacent rooms

- attach the four fittings "R2" to the holes on the shell
- insert the four pipes (21) and secure them with their clamps
- recess the frame with the fitting for outlet "B1" into the wall on the top part of the mantel
- recess the frames with the fitting for the three "B3" outlets into the walls of the rooms requiring heating
- connect the four aluminium pipes to the fittings and secure them with clamps, and snap on the front grilles

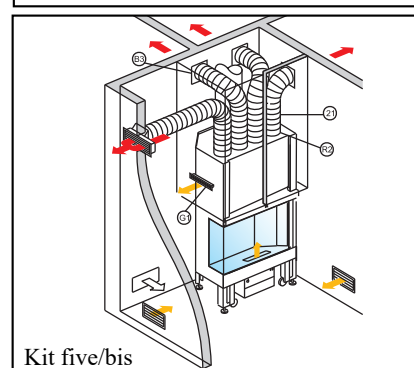
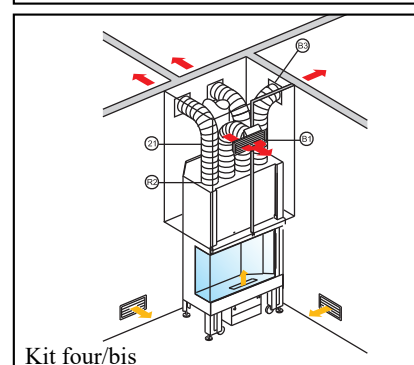
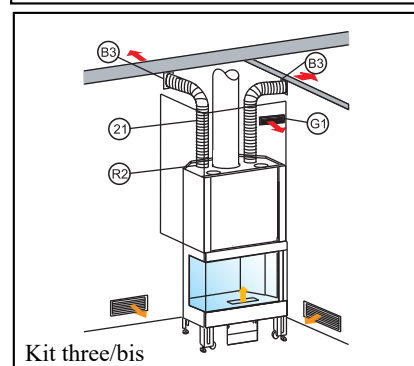
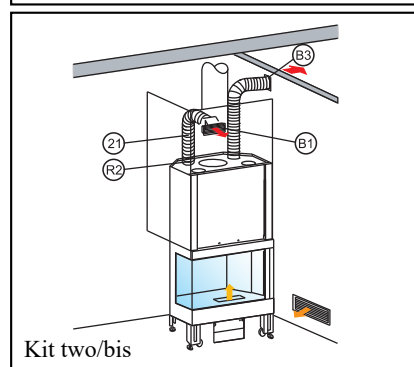
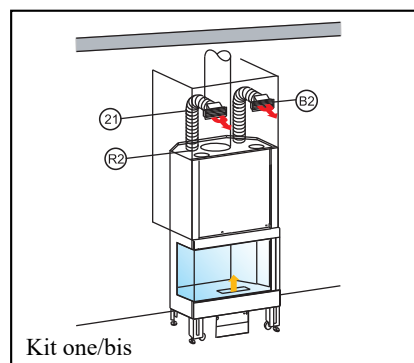
Kit five/bis

for the room where the fireplace is installed, plus four adjacent rooms

- attach the four fittings "R2" to the holes on the shell
- insert the four pipes (21) and secure them with their clamps
- recess the frames with the fitting for the four "B3" outlets into the walls of the rooms requiring heating
- mount a "G1" slit onto the top part of the mantel to allow for ventilation inside the mantel itself
- connect the four aluminium pipes to the fittings and secure them with clamps, and snap on the front grilles

Any hot air outlet holes provided on the top of the mantel that are not being used should be kept closed with the supplied caps.

Special ducts can be built by adding extra individual parts, as shown in the pricelist, to the various kits.



INSTALLATION INSTRUCTIONS

External air inlet (figures E-F-G)

It is absolutely necessary, without exception, to build a connection to the outside with a cross-section of 300 cm² for the proper functioning of the fireplace.

This connection must link the adjustment mechanism outlet located on the side of the mechanism itself with the outside.

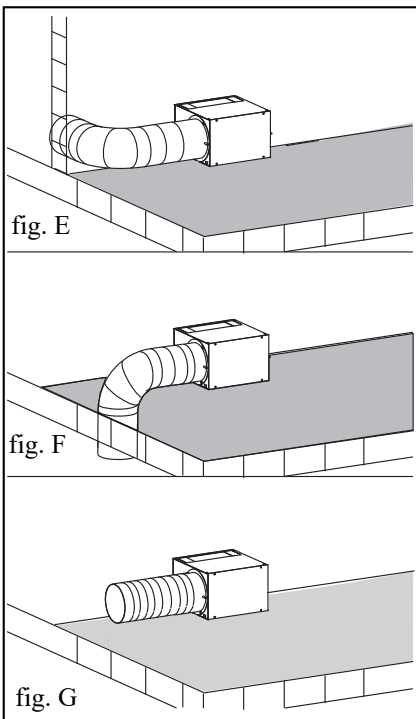
This can be achieved with a flexible aluminium pipe and properly sealing the points where air leakage could occur.

The Ø20 aluminium pipe can be positioned independently either to the right or to the left of the adjustment mechanism.

It is advisable to place a protection grille on the outer part of the air inlet channel, nevertheless ensuring that this does not reduce the cross-section.

The inflow of outside air must be at floor level (it can not come from above).

When positioning the outdoor air damper control cable (4c), make sure that it does not come into contact with the hot parts of the fireplace, as this will damage the plastic sheath.



Transporting the fireplace

In order to facilitate transportation, the fireplace can be made lighter by removing the following:

- counter weights, cast iron bottom, cast iron sides, cast iron hearth, the ash pan, the ash grill made of cast iron, the outer shell.

Dismantling the door

Phase 1 (fig. H-I)

- lower the door to the fully closed position
- move levers X and X1 to the closed position.

Phase 2 (fig. L)

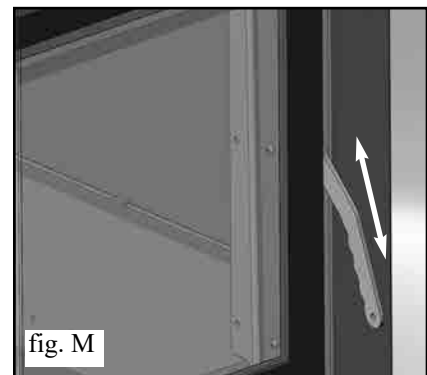
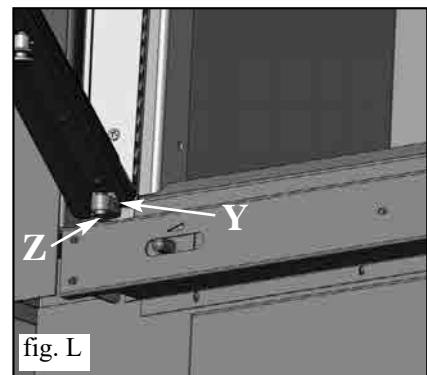
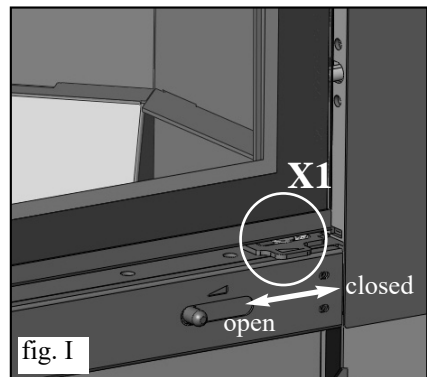
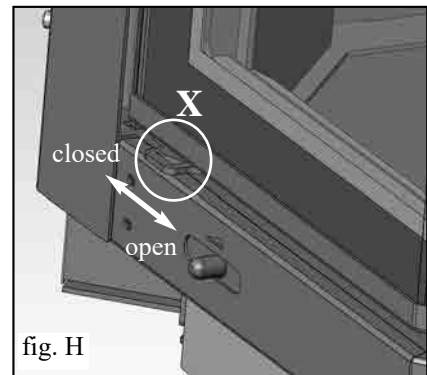
- open the door
- loosen safety grub screw Y
- reclose the door
- move levers X and X1 back to the open position

Phase 3 (fig. L)

- lift the door up approximately 10 cm in order to fully unscrew the Allen screw (Z).
- lower the door until it is in the fully closed position
- Take care that the door does not come out of its housing.
- move levers X and X1 to the closed position again, and then open the door.
- pull (very carefully) the lower part of the door towards you, in order to remove it from its housing.

Cleaning the glass (fig. M)

- **Note: before proceeding, move the two levers, X and X1, to the closed position (see fig. H - I).**
- open the door and using the appropriate tool (cold handle supplied) release the latch plate on the jamb of the short side of the door (rotate 90°).
- reclose after cleaning, fastening the latch plate.



INSTALLATION INSTRUCTIONS

Electric cable connections (fig. N)

In order to connect the electrical cables to the control unit inside the mechanism(4) you must proceed as follows:

- remove the 4 screws from the front panel (4a)
- connect the cables to their sites by inserting their connectors, which must be inserted without forcing them
- connect the plug to the mains and check that the synoptic panel is functioning properly by following the instructions attached to it
- reassemble the front panel being careful not to bend or crush the synoptic panel cable, then proceed with the installation of the fireplace.
- these procedures must meet installation standards and be built to the highest professional standards.

- ensure that the electrical wires do not have any areas of contact with the prefabricated appliance and the smoke channel

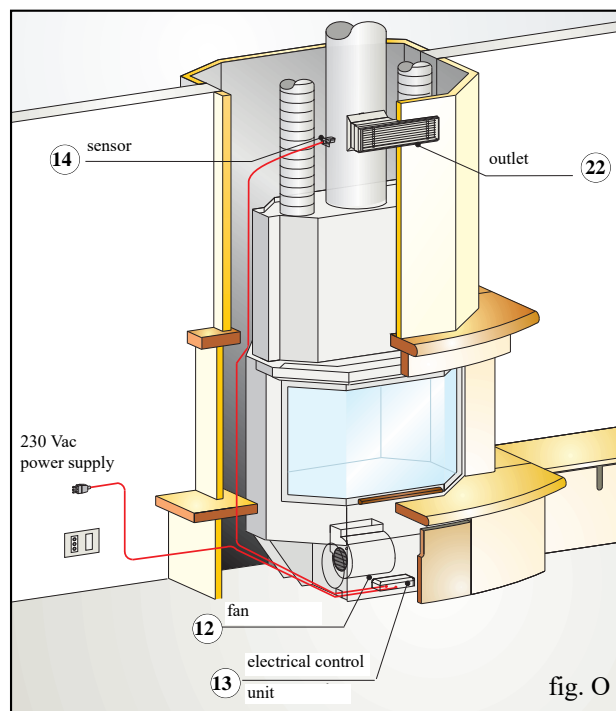
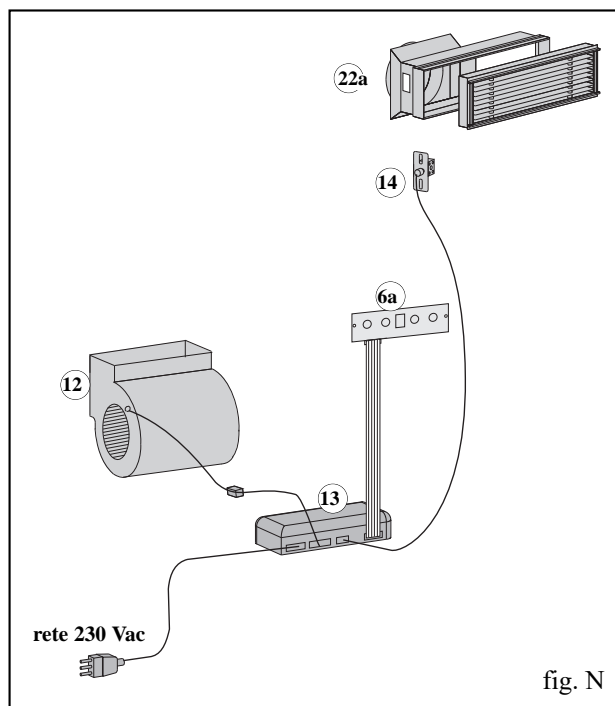
- no parts of the electrical equipment supplied with the fireplace must be tampered with

- the electrical components are always live, prior to any work, unplug the equipment or turn off the general electrical panel for the housing.

Connecting forced ventilation (fig. N-O)

- extend the lead with the plug all the way to the socket
- mount the covering all the way up to the beam, and then build the mantel with plasterboard panels as follows:

- the first side panel
- front Panel
- secure outlets (22) in the top part of the frames after making a hole of 37x10, 5 cm
- secure the sensor (14) inside the hole (22a) of the outlet (B1 or B3)
- check that the wire of the sensor does not interfere with the movement of the retractable door
- the second side panel
- finish the mantel by mounting the second side panel
- and apply the snap on grilles to the outlets from the outside
- when the work is complete, plug in the plug to the 230 Vac power supply



INSTALLATION INSTRUCTIONS

Placement of damper control air intake mechanism to the right = Open

with the fireplace on adjust the outdoor air mixed with indoor air.
to the left = Closed

Natural convection air circulation (fig. A1)

By turning knob **1b** to the right, the outside air travels through fitting **4b**, reaching mechanism **4** where it mixes with the air taken in from the room through hole **4e**. Air passes through the air jacket of the fireplace, through opening **4f**, where it is heated and then, through the aluminium pipes, exits outlets **22** through natural convection (which must be installed on the mantel of the covering).

Forced ventilation air circulation (fig. A2)

This is obtained by using fan **12**, electronic control unit **13**, with synoptic panel **6a**, plus sensor **14** to be inserted into the seat of outlet. By turning knob **1b** to the right, the outside air travels through fitting **4b**, reaching mechanism **4** where it mixes with the air taken in from the room through hole **4e**.

Fan **12** then pushes the air through the air jacket of the fireplace, through opening **4f**, where it is heated and then, through the aluminium pipes, exits outlets **22** through natural convection (which must be installed on the mantel of the covering).

When the fan is off the fireplace runs on natural convection.

Operating on forced ventilation: in Automatic

The fan is connected to a sensor, (mounted on the hot air outlet on the mantel), which starts up automatically once it reaches a temperature of 40°C, and stops again automatically when the temperature drops below 40 ° C.

Manual

The fan begins operating regardless of the temperature, with the possibility of setting 9 different speeds.

Synoptic panel



The fan is controlled by a synoptic panel (located on lower panel 5 of the fireplace) with 4 buttons and a display screen.

Buttons

- On/Standby
- Automatic or manual
- Decrease fan speed in manual mode
- Increase fan speed in manual mode

Display screen

- On/Standby
- Automatic*
- Manual (random speed from 1 to 9)

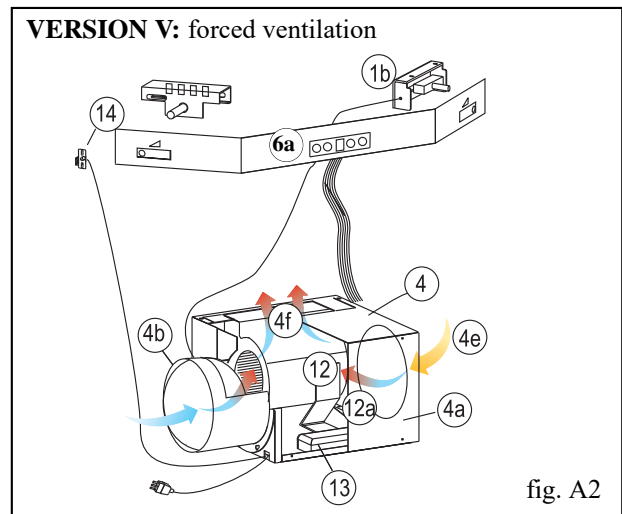
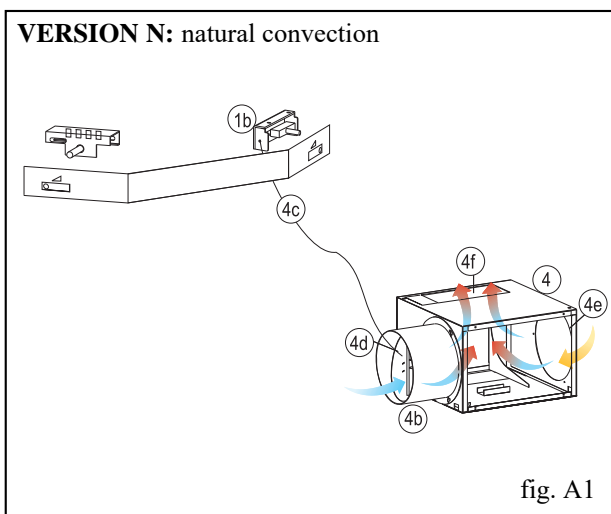
*shown with an intermittent **A** when the fan is off and has not yet received a signal from the sensor (40°C).

When it reaches 40°C, a dash will appear on the display screen rotating clockwise, confirming that the fan is operating.

Note: when the fan is turned on again the display screen will go back to the same function as before shutdown.

- ignition is achieved by pressing down button 0/1 for 2-3 seconds

- each operation is confirmed by a beeping sound.



USE INSTRUCTIONS

Fuel and heating power

The fuelling has been optimised from a technical point of view, both with regard to the conception of the hearth and the respective air power supply, and with regard to the emissions.

We invite you to support our commitment in favour of a clean environment by observing the following indications with regard to the use of fuelling materials which do not contain, nor produce, noxious substances.

Only use natural and seasoned wood, or wood briquettes, as fuel. Damp wood, freshly cut or stored incorrectly has a high water content and therefore does not burn well, produces smoke but very little heat.

Only use burning wood with minimum two years seasoning in an airy and dry room. In such case, the water content will result lower than 20% of the weight. In this way you will save in fuelling material, as the seasoned wood has a higher heating power.

Never use liquid fuel such as petrol, alcohol or similar. Do not burn waste.

Radiation field

Do not place any fuel object inside the radiation field of the glass hatch.

Initial start-up

The paint of the hearth is subject to the so called ageing until the working temperature is reached for the first time.

This may cause unpleasant odours. In such case, adequately air the room where the hearth is installed. The phenomenon will disappear after the first ignitions.

Danger of burns

The external surfaces of the STATUS UP2 hearth, in particular the glassceramic panel, heat up. Do not touch - danger of burns! Children should be particularly warned. However, children must be kept away from the switched on hearth.

Air grills

Careful not to close or obstruct the hot air outlets. This causes danger of overheating inside the covering.

Hearth functioning with hatch open

In case of functioning with hatch open, the hearth will have to be constantly kept under control. Very hot coal may be projected outside the hearth.

Addition of fuel

The use of a protective glove is suggested to "add wood", in that, in case of prolonged use, the handle may heat up.

Slowly open the hatch. In this way, the forming of a vortex of leaking smoke is avoided. When is it time to add wood? When the fuel has almost turned to coal.

Functioning in mid-seasons

To suck the air for fuelling and to discharge smoke, the STATUS UP2 hearth requires draught from the chimney/flue.

With the increase of the external temperatures, the draught decreases. Verify the chimney draught before lighting the fire, in case external temperatures are higher than 10°C. If the draught is weak, initially ignite a "starting" fire using small sized igniting material. Once the correct chimney draught is restored, you can introduce the fuel.

Air flow in the room where the hearth is installed

The STATUS UP2 hearth is able to work regularly only if in the room where it is installed there is sufficient air flow for the fuelling. Provide a sufficient air flow before igniting the chimney.

The air power supply devices for fuelling must not be altered.

Whenever the air volume results scarce and the type of building in which the chimney is installed particularly air sealed, it will be necessary to install a supplementary air inlet of 150 cm² as previously said.

Igniting with cold hearth

1. Check that the ash bed is not too high. Maximum height: 5 cm underneath the hatch edge. If the ash bed becomes too high, there is a danger that when opening the hatch to add wood, fragments of coal may fall out of the hearth.

2. Pull the regulating lever of the air valve in the "switch on" position. Air for fuelling will flow intensely to the wood in the hearth, to rapidly reach good fuelling.

3. The wood must be placed in the hearth without excessively crowding it. Place an igniter between the wood logs, and ignite. The igniters are practical aids to start the fuelling.

Attention: very large wood logs do not ignite properly in a cold hearth and free noxious gasses. Never use material such as petrol, alcohol and similar to ignite the hearth!

4. At this point, close the hearths hatch and supervise for a few minutes. Should the fire go out, slowly open the hatch, allocate another igniter between the wood logs and re-ignite.

5. Should the fire not require further addition of wood, the moment the same fire is exhausted, push the regulating lever of the air valve in the "maintain fire" position. Do not carry out such regulation during the fuelling phase, in that, when the lever is in the maintain fire position, the air flow for fuelling results completely blocked.

In case of sudden oxygen flow (for ex. due to the opening of the hearths panel) the "gasses still present" in the hearth and in the eventual heat recovery surfaces, may react violently with said atmospheric incoming oxygen.

Power supply with hot hearth

With the glove provided, slowly lift the hatch and add the desired amount of wood in the hearth, placing it on the existing coal. In this way, the wood will heat up with the consequent expulsion, in the form of steam, of the contained humidity. This leads to a decrease of the temperature inside the hearth. The volatile substances let out at this point by the fuelling material, require a sufficient air flow, so that this critical phase, from a technical point of view of the emissions, can be rapidly carried out and the required temperature can be reached for correct fuelling.

A further suggestion:

For the initial ignition of the hearth, always use the smaller wood logs. These rapidly burn and therefore bring the hearth to the right temperature in less time. Use the larger wood logs to re-power the hearth.

Certain types of wood briquettes inflate once they are in the hearth, meaning they stretch under the heat and increase in volume.

Always place the wood well inside the hearth, nearly touching the rear wall of the same, so that should it slide, it does not fall in the hatch.

Removing the ash

You can remove the ash using a shovel or with an ash sucker. Only place the ash in non fuelling containers, bearing in mind that the residual coal may re-ignite even after more than 24 hours from last fuelling.

N.B. The seasoned wood has a heating power of about 4 kWh/kg, whereas fresh wood has a heating power of only 2 kWh/kg. Therefore, to obtain the same heating power, double the fuel is required.

	water content g/kg of wood	Heating power kWh/kg	Higher wood consumption in %
very seasoned	100	4,5	0
2 years of seasoning	200	4	15
1 year of seasoning	350	3	71
Freshly cut wood	500	2,1	153

ATTENTION: If the hearth is powered with an excessive amount of fuel or with inadequate fuel, the risk of overheating may be incurred.

Sequenza montaggio “GHISE FOCOLARE”

- smontare il cielino(2c) pre-montato nel termocaminetto svitando le due viti
- avvitare un fianco metallico ambidestro (2e) con la vite in dotazione
- inserire i due fianchi in ghisa ambidestri (2b) (attenzione, restano instabili fino al montaggio del fondale 2a)
- inserire il fondale in ghisa (2a) ed avvitarlo alla struttura (con le due viti già avvitate alla struttura)
- avvitare il secondo fianco metallico (2e) con la vite in dotazione
- inserire il cielino precedentemente smontato, facendo aderire bene la guarnizione 2d (presente nella sede dello stesso) al fondale (2a), quindi avvitare il cielino (2c), con le 2 viti, alla struttura del cielino
- inserire la vaschetta cenere (6) e la griglia cenere (7)

Assembly sequence of “CAST IRON HEARTH PLATES”

- remove the ceiling (2c) pre-mounted on the thermo fireplace by loosening the two screws
- screw in the first metal ambidextrous side plate (2e) with the screw provided
- insert the two, ambidextrous cast iron sides (2b) (attention, these remain unstable until the bottom is mounted 2a)
- insert the cast iron bottom (2a) and screw it to the structure (with the two screws already screwed to the structure.)
- screw in the second metal side plate (2e) with the screw provided
- insert the previously removed ceiling, making sure the gasket is well-adhered 2d (present in the housing of the ceiling) to the bottom (2a), then tighten the ceiling (2c) to the structure of the ceiling using the two screws.
- insert the ash pan (6) and the ash grille (7)

Secuencia de montaje "PARTES INTERNAS DEL HOGAR"

- desmontar la parte superior (2c) pre-montada en la termochimenea aflojando los dos tornillos
- atornillar un lateral metálico ambidiestro (2e) con el tornillo suministrado
- introducir los dos laterales de fundición ambidiestros (2b) (atención, permanecen inestables hasta que no se monta el fondo 2a)
- introducir el fondo de fundición (2a) y atornillarlo a la estructura (con los dos tornillos atornillados a la estructura)
- atornillar el segundo lateral metálico (2e) con el tornillo suministrado
- introducir la parte superior desmontada precedentemente, adhiriendo bien la empaquetadura 2d (presente en el alojamiento de la misma) al fondo (2a), luego atornillar la parte superior (2c), con los 2 tornillos a la estructura de la chimenea
- introducir el cajón de las cenizas (6) y la rejilla de las cenizas (7)

Sequência de montagem das “PAREDES INTERNAS DA LAREIRA”

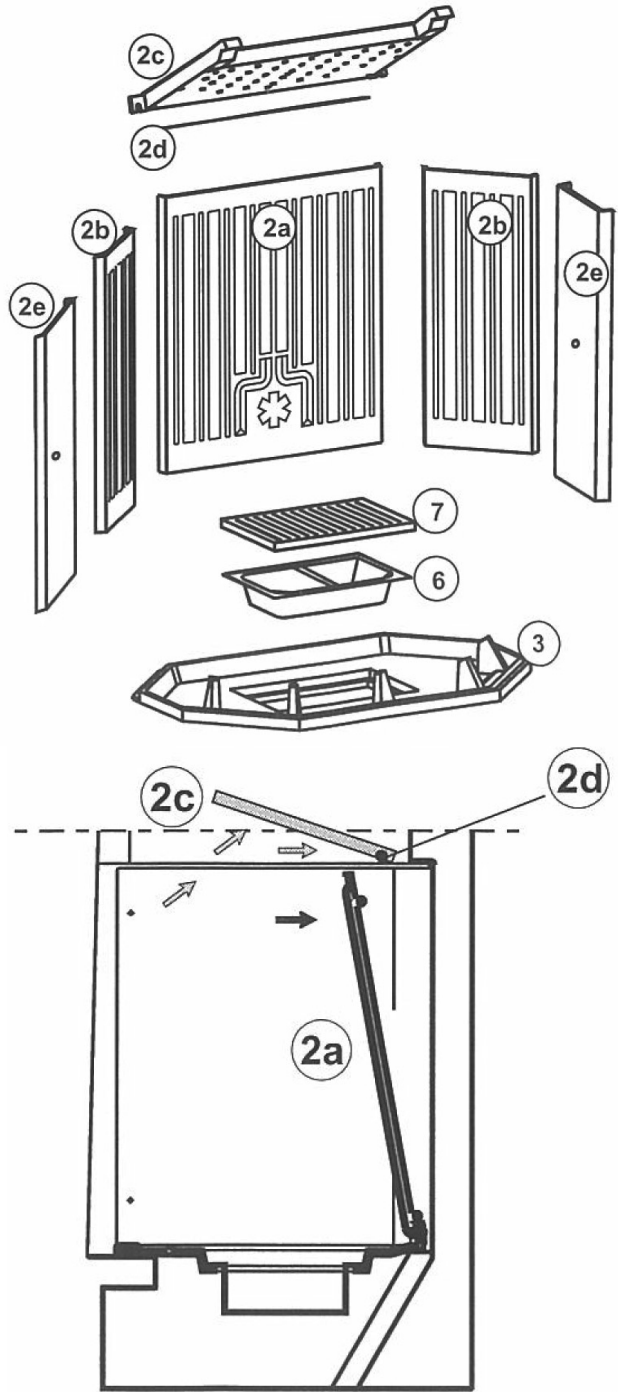
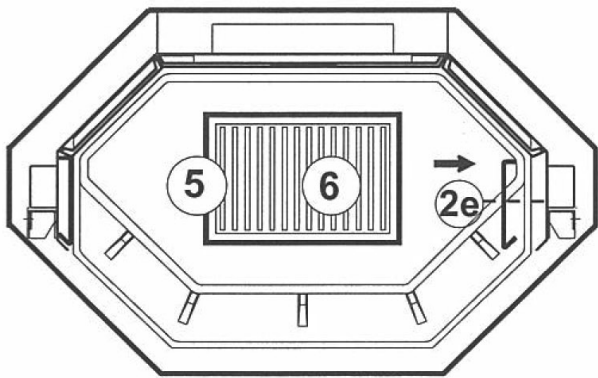
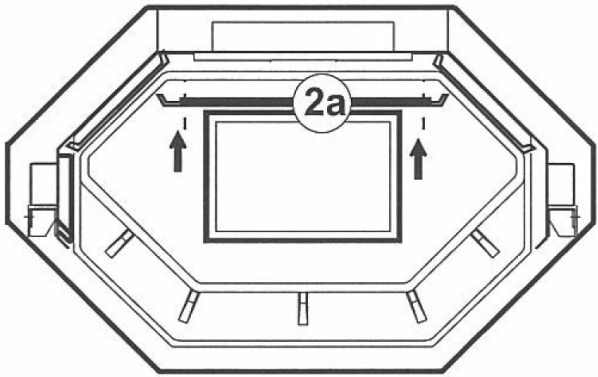
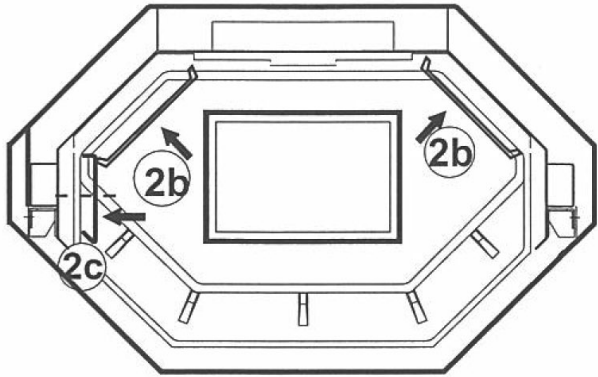
- desmontar o painel superior (2c) previamente montado na lareira para aquecimento central desparafusando os dois parafusos
- aparafusar uma parte lateral ambidextra (2e) utilizando os dois parafusos fornecidos de fábrica
- inserir as duas partes laterais ambidextras em ferro fundido (2b) (atenção, permanecem instáveis até a montagem do painel de fundo 2a)
- inserir o painel de fundo em ferro fundido (2a) e aparafusá-lo à estrutura
- aparafusar a segunda parte lateral ambidextra metálica (2e) utilizando os dois parafusos fornecidos de fábrica
- inserir o painel superior anteriormente desmontado certificando-se de que a guarnição 2d (instalada no alojamento do próprio painel) adira corretamente ao painel de fundo (2a); enfim, aparafusar o painel superior (2c), por meio dos parafusos fornecidos, com o fim de prendê-lo rigidamente à estrutura
- inserir o recipiente para recolha das cinzas (6) e a grelha (7)

Σειρά συναρμολόγησης ‘ΠΛΕΥΡΙΚΑ ΤΜΗΜΑΤΑ ΤΟΥ ΘΑΛΑΜΟΥ ΚΑΥΣΗΣ ΑΠΟ ΧΥΤΟΣΙΔΗΡΟ’

- για να αποσυναρμολογήσετε την οροφή του θαλάμου καύσης (2c) που έχει ήδη τοποθετηθεί στο τζάκι καλοριφέρ, ξεβιδώστε τις δύο βίδες
- βιδώστε το πλευρικό αμφιδέξιο τμήμα (2e) με τη βίδα που σας παρέχεται
- τοποθετήστε τα δύο πλευρικά αμφιδέξια τμήματα (2b) (προσοχή, τα τμήματα είναι ασταθή μέχρι να ολοκληρωθεί η συναρμολόγηση της βάσης)
- τοποθετήστε τη βάση από χυτοσίδηρο (2a) και βιδώστε την στην κατασκευή (δύο από τις βίδες της έχουν ήδη βιδωθεί επάνω στην κατασκευή)
- βιδώστε το δεύτερο πλευρικό μεταλλικό τμήμα (2e) με τη βίδα που σας παρέχεται
- τοποθετήστε την οροφή που είχατε αφαιρέσει προηγουμένως, και φροντίστε να εφαρμόσει καλά η τσιμούχα 2d (που υπάρχει στην ειδική θέση στην οροφή) στη βάση (2a) και στη συνέχεια βιδώστε την οροφή (2c) με τις δύο βίδες που παρέχονται στην κατασκευή του τζακιού
- τοποθετήστε το σταχτοδοχείο (6) και τον αεραγωγό στάχτης (7)

Последовательность монтажа: “ВНУТРЕННИЕ ПАНЕЛИ ТОПКИ”

- демонтировать предварительно смонтированную в термокамине верхнюю панель (2c), отвинтив два винта
- привинтить металлическую боковину, одинаковую для левой и правой сторон, (2e) с помощью винта, входящего в комплект
- вставить две чугунные боковины, одинаковые для левой и правой сторон, (2b) (внимание, они остаются неустойчивыми до монтажа задника 2a)
- вставить чугунный задник (2a) и привинтить его к конструкции (с помощью двух винтов, уже привинченных к конструкции)
- привинтить вторую металлическую боковину (2e) с помощью винта, входящего в комплект
- вставить ранее демонтированную верхнюю панель, обеспечивая плотное прилегание прокладки 2d (расположенной в гнезде панели) к заднику (2a), затем привинтить верхнюю панель (2c) к конструкции камина с помощью 2 винтов
- вставить зольник (6) и колосниковую решетку (7)





www.edilkamin.com

942072-GB04.19/A